

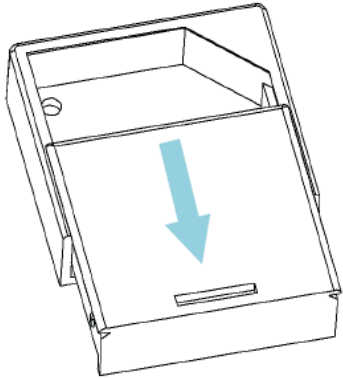
INTRODUCING THE SMALLEST ZIGBEE HOME AUTOMATION DEVICES IN THE WORLD



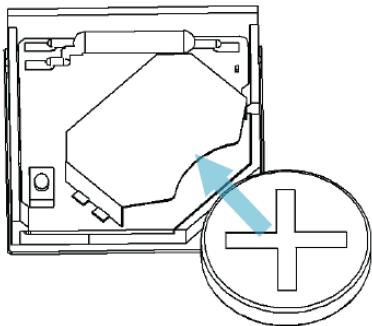
NYCE CONTROL

How to Install a NYCE Control Door/Window Sensor

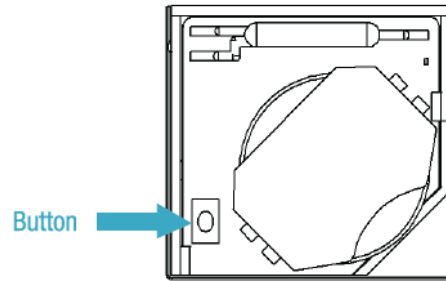
STEP 1: INSTALL BATTERY



Slide open the Door/Window Sensor's housing. Install the CR2032 battery in the top part as shown below.



STEP 2: INSTALL DRIVER + IDENTIFY



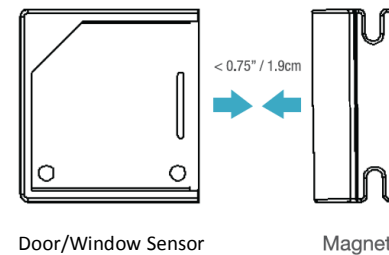
Install the device's driver:

- [DriverWorks_HA_Profile_CSwitch.c4i](#)
- Download driver from: www.nycecontrol.com/support or from Control4's online database
- Copy to My Documents\Control4\Drivers
- Open Composer and add device to project (Manufacturer = "Nyce Control")
- Identify the device by pressing the button 4 times while its identify window is open.
- The device's 64-bit address should appear in the identify window's text box.
- **Add a Generic Contact Switch Driver to project (My Drivers\Sensors>Contact Switch) and bind the two drivers together in Connections -> Control/AV**

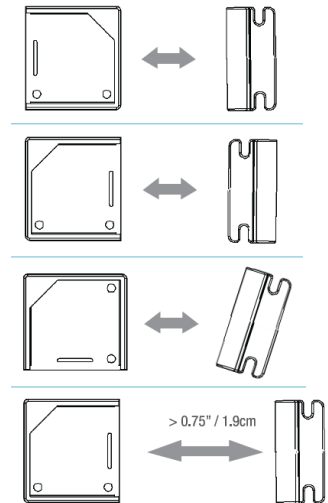
STEP 3: PROPER ORIENTATION OF DEVICE + MAGNET

- Ensure that the Door/Window Sensor and the Magnet are facing each other as shown in the diagram below on the left.
- The Magnet and Sensor can be a **maximum of 0.75" (1.9 cm) apart**. If aligned properly, you will be able to hear a 'click' when they approach.
- Check that the icon in Navigator's or Composer's List View updates with a "Closed" and "Open" icon as the magnet is moved to and from the device.

CORRECT ORIENTATION ✓

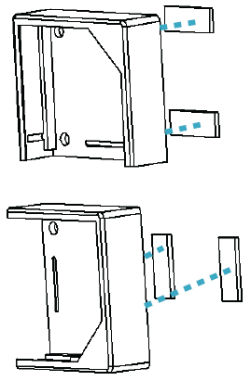


INCORRECT ALIGNMENT ❌

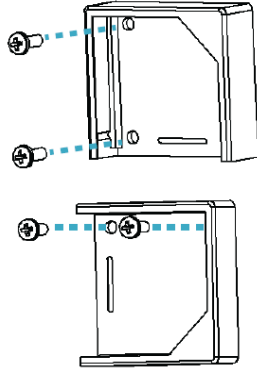


STEP 4: INSTALLING THE DOOR / WINDOW SENSOR

OPTION 1: 2-SIDED TAPE



OPTION 2: SCREWS



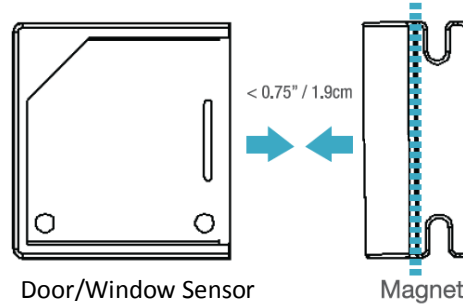
Notes:

- Using the methods shown above, install the Door/Window Sensor on a clean surface using the 2-sided tape or 2 screws provided.

- Test the Sensor from desired location before permanent installation.
- Installation on metal can reduce transmission range.
- Ensure that the device is installed in a dry location away from water, moisture, and rain.

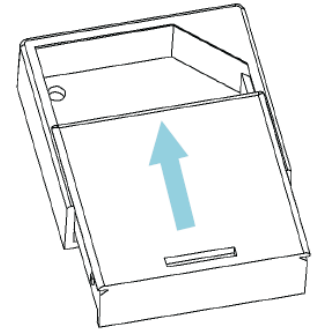


STEP 5: INSTALL MAGNET



- Install the magnet in the proper orientation using 2-sided tape or screws.
- The magnet must be within 0.75" (1.9 cm) of the Sensor.
- If using 2-sided tape, the magnet's tab can be removed by snapping the screw tab along the scored line shown above.

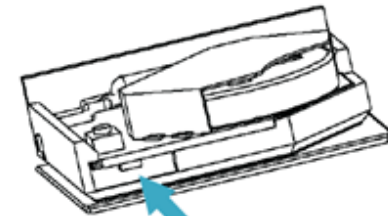
STEP 6: CLOSE COVER



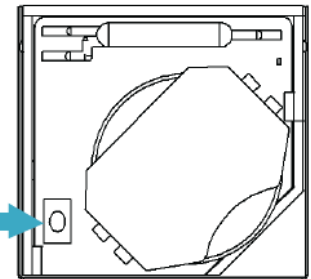
- Once you have confirmed the device is communicating, close the device cover as shown in the diagram above.

PRODUCT FUNCTION + LED INDICATORS

Button Press	LED w/Press	Action	LED Action	Description
2 Times	● ●	Network Status	● ● ● ●	Not Joined Joined
4 Times	● ● ● ●	Network Join	● ● ● ●	Join Successful Join Unsuccessful
6 Times	● ● ● ● ● ●	Network Leave	● ●	Leave Successful
10 Times	● ● ● ● ● ● ● ● ● ● ● ●	Restore Defaults	● ● ● ● ● ● ● ●	Leave (if joined) and Defaults Restored
		No Action	● ● ● ● ● ●	Unsupported Command Network Error, retry Device Busy



LED



Button